



# RISHABH INSTRUMENTS



*Measure, Control & Record with a Difference*





**RCT93**



### Features

- Manufactured to IEC-60044-1, Flame retardant classification UL 94V-O and CE approved
- Class accuracy 0.5 and 1
- Sealable terminal cover as standard, solid or split core
- Mounting options, - cable, bus bar or din mount
- All C.T,S with 5A secondary connection (1A secondary available on request)
- Single turn primary
- Tested insulation : 3kV/1 min 50Hz
- For mounting arrangements and dimensions please refer back page

### Split Core Units

Ratio Amps	Class 0.5	Class 1	Part no.
<b>100/5</b>		1.5VA	RSCT93/100
<b>150/5</b>		1.75VA	RSCT93/150
<b>200/5</b>		2.5VA	RSCT93/200
<b>250/5</b>		3.75VA	RSCT93/250
<b>300/5</b>	2.5VA	5VA	RSCT93/300
<b>400/5</b>	3.75VA	6.25VA	RSCT93/400

### *Please enquire for other products in the Rishabh range which include -*

- Analogue Voltage, Current and Frequency meters
- Hour run meters
- Kilowatt hour meters
- Maximum demand meters
- Selector switch meters
- Current transducers
- Electronic power energy meters
- Din and panel mount  
Multi function power meters
- Temperature transmitters
- DC signal isolators and convertors
- Digital and Analog Insulation testers
- Digital multi meters



# Solid Core Units & Ammeters



## Solid Core Units

Ratio Amps	Class 0.5	Class 1	Part no.
50/5		1.5VA	RCT1/50
60/5		1.5VA	RCT1/60
75/5		1.5VA	RCT1/75
100/5	1.5VA	2.5VA	RCT1/100
120/5	2.5VA	3.75VA	RCT1/120
125/5	2.5VA	3.75VA	RCT1/125
150/5	3.75VA	5VA	RCT1/150
200/5	3.75VA	5VA	RCT2/200
250/5	5VA	7.5VA	RCT2/250
300/5	5VA	7.5VA	RCT2/300
300/5	5VA	7.5VA	RCT3/300
400/5	10VA	12.5VA	RCT3/400
500/5	10VA	12.5VA	RCT3/500
600/5	15VA	15VA	RCT3/600
600/5	7.5VA	12.5VA	RCT4/600
750/5	10VA	15VA	RCT4/750
800/5	10VA	15VA	RCT4/800
1000/5	20VA	20VA	RCT4/1000
1200/5	20VA	30VA	RCT4/1200
1250/5	20VA	30VA	RCT4/1250
1500/5	20VA	30VA	RCT4/1500
1600/5	20VA	30VA	RCT4/1600
2000/5	20VA	30VA	RCT4/2000
1200/5	15VA	30VA	RCT5/1200
1250/5	15VA	30VA	RCT5/1250
1500/5	20VA	30VA	RCT5/1500
1600/5	20VA	45VA	RCT5/1600
2000/5	45VA	45VA	RCT5/2000
2500/5	45VA	45VA	RCT5/2500

Please enquire for availability as some items may be indent.

## Ammeters

90 deg scale , Class 1.5 to IEC standard, 5A secondary, 72 x 72mm size

Please order from the following current scale sizes

(scales come complete with the meter):

50,60,75,80,100,120,125,150,200,250,300,400,500,600,  
750,800,1000,1250,1500,1600,2000,2500A

Part no	Description	Class
DE72...	72 X 72mm Ammeter with scale	1.5

Please enquire for other meters available in the Rishabh range.



RCT1



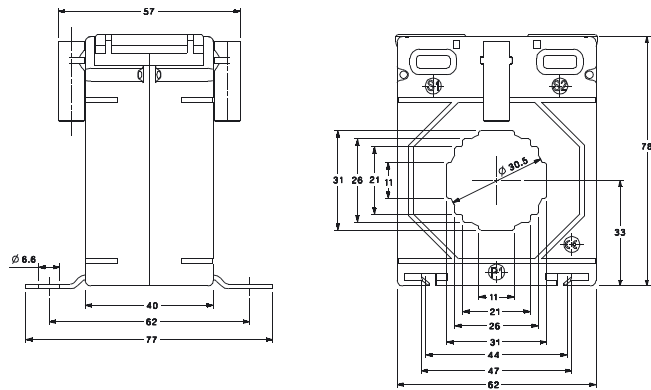
RCT3



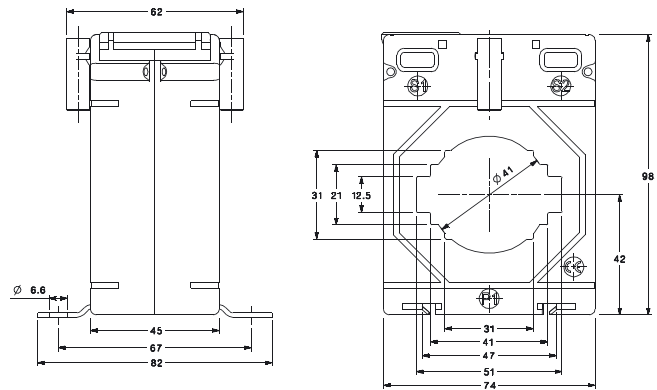
RCT5



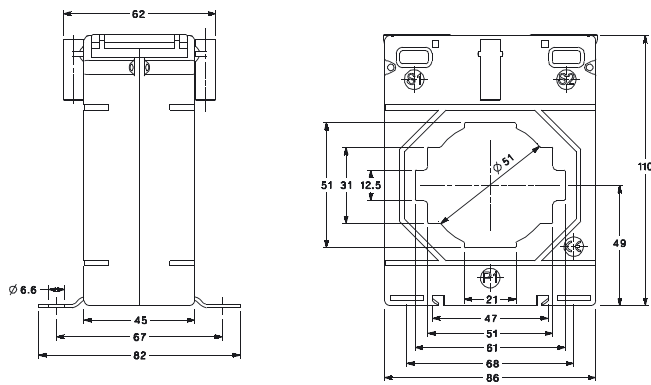
## RCT1



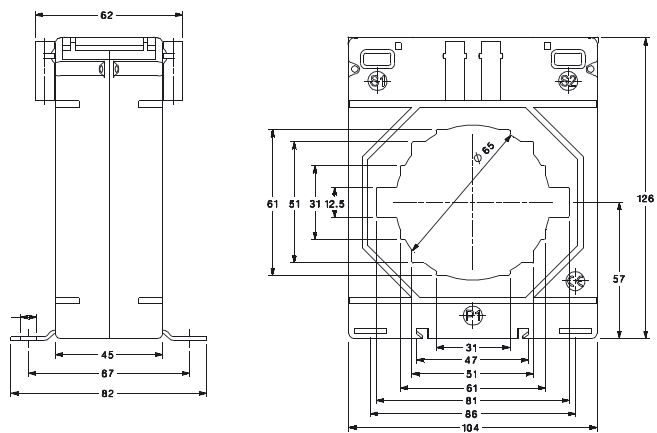
## RCT2



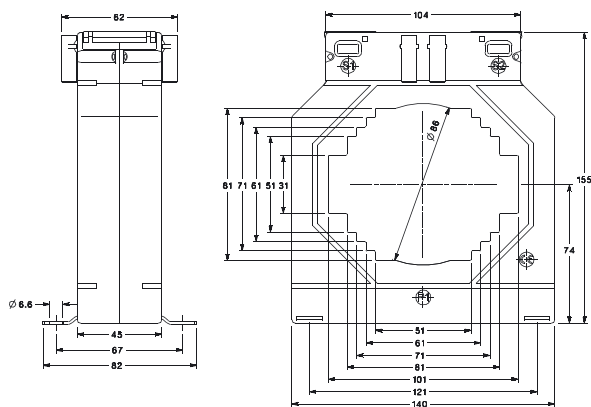
## RCT3



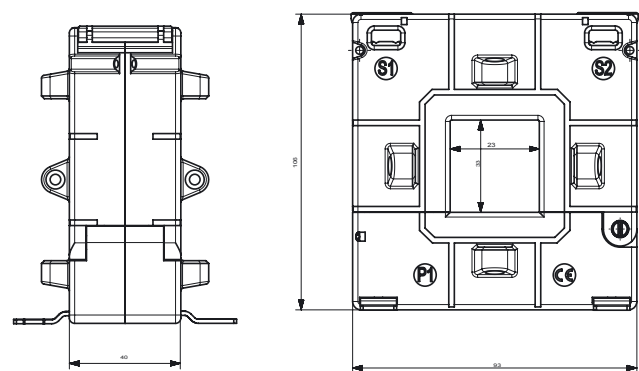
## RCT4



## RCT5



## RSCT93



Please contact your local distributor for pricing and any technical details or requirements.



98 Commercial Drive,  
Thomastown VIC 3074  
Phone (03) 9464 6555  
Fax (03) 9464 5155  
Email [sales@nawcontrols.com.au](mailto:sales@nawcontrols.com.au)  
[www.nawcontrols.com.au](http://www.nawcontrols.com.au)



2C Brunner Road,  
Chullora NSW 2190  
Phone 1300 TOBINS, (02) 8713 5200  
Fax (02) 9790 5211  
Email [sales@tobins.com.au](mailto:sales@tobins.com.au)  
[www.tobins.com.au](http://www.tobins.com.au)



24/256 Musgrave Road,  
Coopers Plains QLD 4108  
Phone 1300 NAW NAW  
Fax (07) 3272 7564  
Email [sales.qld@nawcontrols.com.au](mailto:sales.qld@nawcontrols.com.au)  
[www.nawcontrols.com.au](http://www.nawcontrols.com.au)



2/6 Colin Jamieson Drive,  
Welshpool WA 6106  
Phone 08 9451 4782  
Fax 08 9451 7057  
Email [sales@uniquip.net.au](mailto:sales@uniquip.net.au)  
[www.uniquip.net.au](http://www.uniquip.net.au)